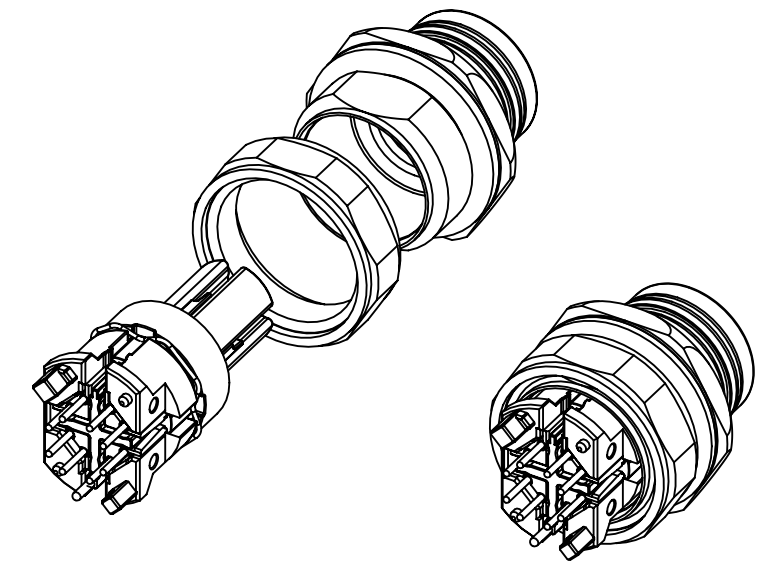
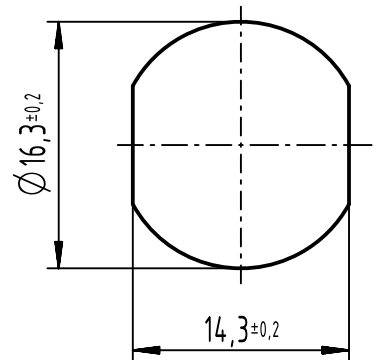
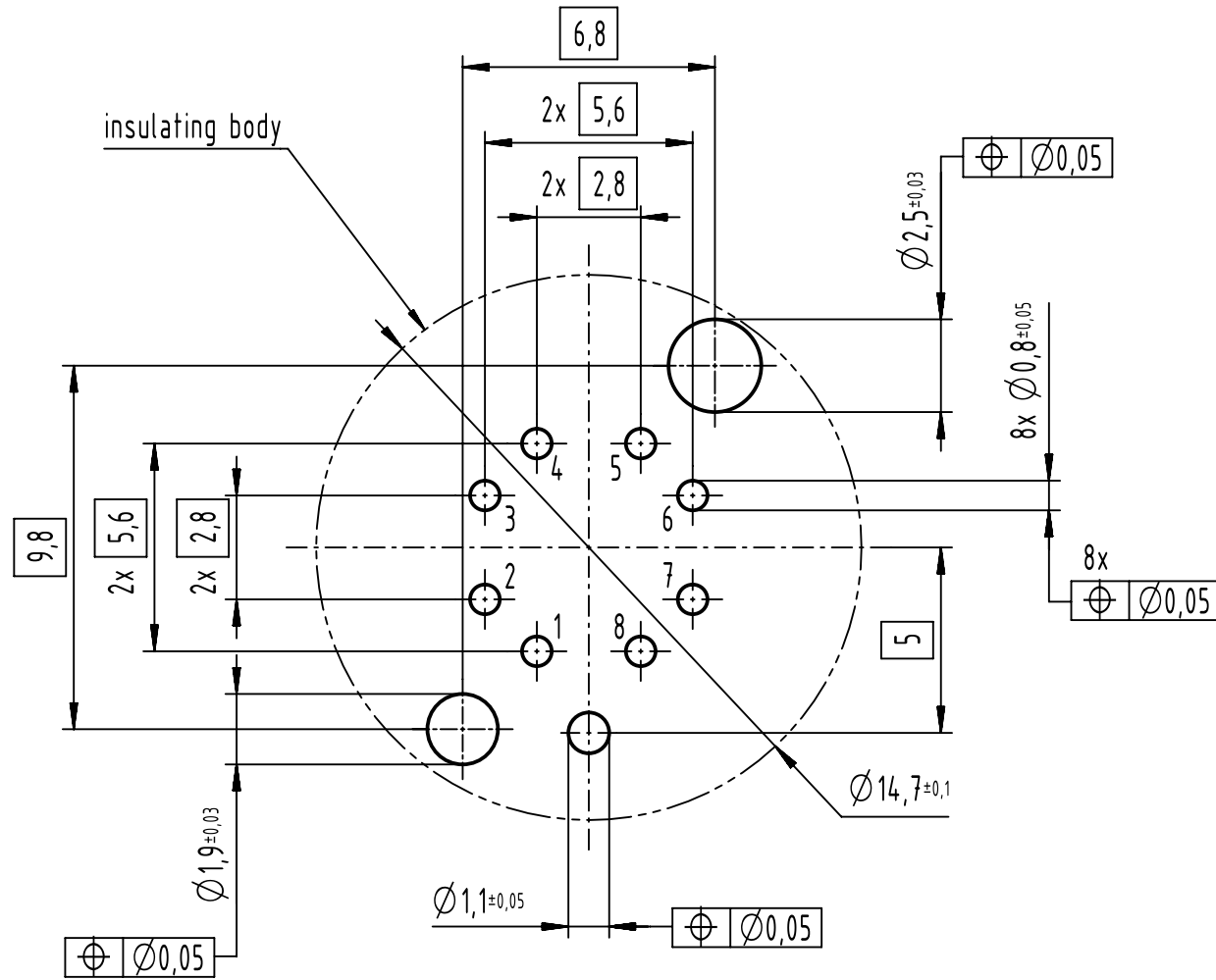
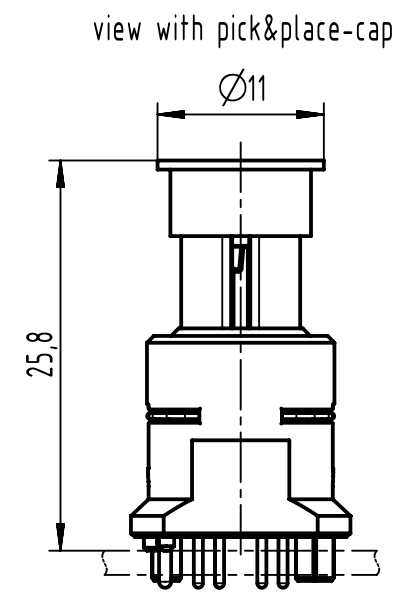
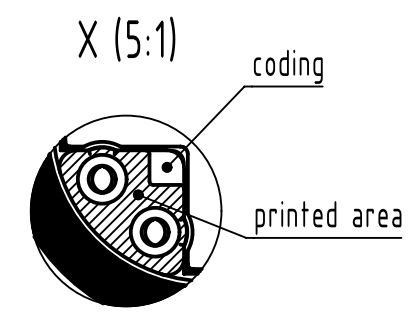
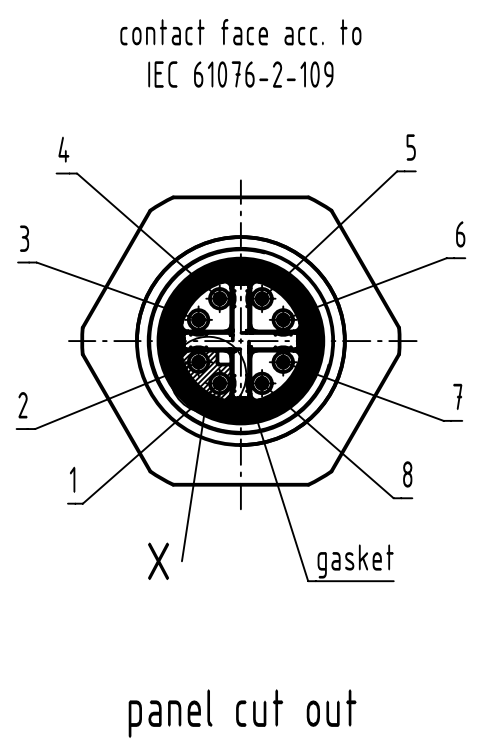
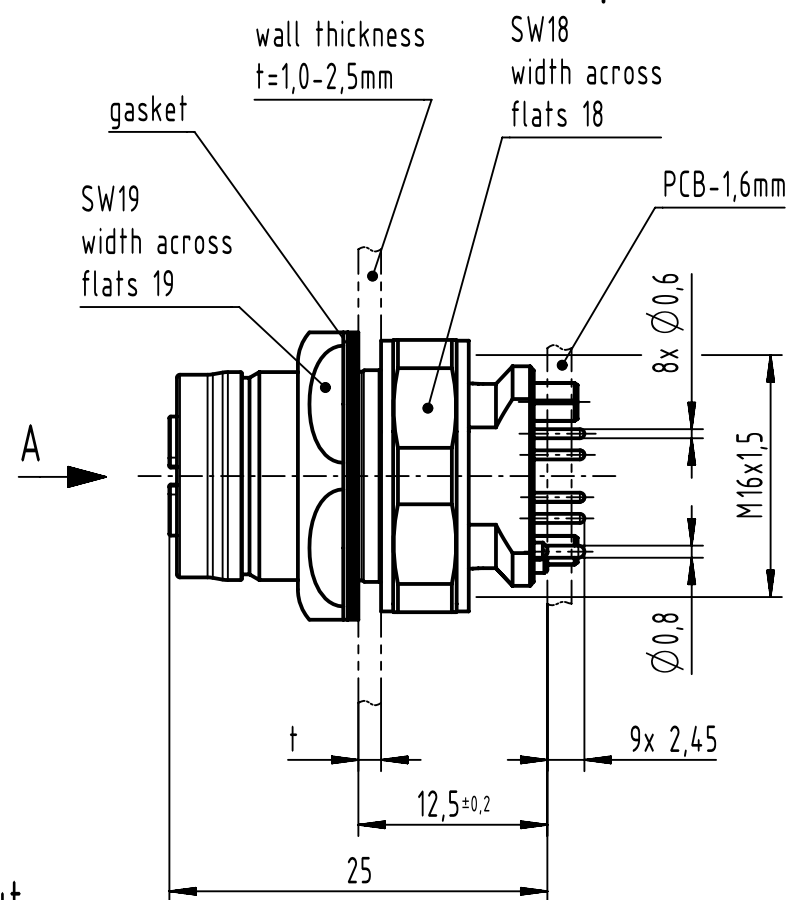


recommended PCB-layout
A (5:1)



pin assignment		
pin	Signal	pair
1	TD1+	2
2	RD1-	2
3	TD2+	3
4	RD2-	3
5	TD4+	4
6	RD4-	4
7	RD3-	1
8	TD3+	1

- 500 mating cycles acc. to IEC 60512-9-1
- design for reflow soldering
- 60 pcs. tray package
- packed with pick&place-cap

	All rights reserved	Scale 2:1	Free size tol.	Ref.	
	Department EL PD	Created by BUSSMANN	Inspected by 104122	Sub.	
HARTING D-32339 Espelkamp	Title M12-PP-PCB-THR-2PC-8P-XCOD-F-STR-SHLD		Date 2022-11-17	State Final Release	
	Type TB	Number 21033812802	Doc-Key / ECM-Nr. 100230885/UGD/002/H 50000228108		Page 1/1